

# UFO SUSPENDED WITH FLA4 990 AUTOMATIC BEV<sup>®</sup> BURNER

*Net Zero fireplace with the BEV Technology<sup>®</sup>*



## AUTOMATIC BEV<sup>®</sup> BURNER

The BEV Technology<sup>®</sup> guarantees burning that is free of smoke, odor, or ash. This technology creates a flame by burning ethanol vapors, ensuring that the fire has no direct contact with the liquid fuel.



## AUTOMATIC REFILLING

The automatic pump communicates with the device, delivering the necessary amount of fuel. There is no risk of overfilling the tank or spilling the fuel.



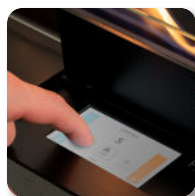
## MOBILE APP

A fireplace controlled by an app offers the convenience of adjusting flame settings and ambiance remotely, enhancing comfort and ease of use.



## REMOTE CONTROL

Easily control your fireplace with the handy remote. You're in charge of the flames. Go for one of 6 flame levels to adjust the ambiance and coziness to your needs.



## TOUCH CONTROL PANEL

Experience the ultimate convenience with the LCD touch control panel. Easily adjust the fireplace settings, check fuel levels, or set a shut-off timer. Additionally, the child lock feature ensures safety for the youngest users.



## OPTIONAL DECORATIVE LOGS

Enhance your fireplace's aesthetic with our optional tray of new decorative logs, adding a touch of elegance and warmth to any room.

# UFO Suspended

(BEV Technology®)

|                         |                                         |
|-------------------------|-----------------------------------------|
| Fuel tank capacity      | 5.5 L                                   |
| Maximum burn time       | 8 hours                                 |
| Maximum heat output     | 7.0 kW                                  |
| Minimum room cubature   | 70 m <sup>3</sup>                       |
| Flame height regulation | 6 stages                                |
| Fuel type               | bioethanol 95 - 96,6%                   |
| Flue                    | not required                            |
| Air change rate         | 1 space volume per hour                 |
| Power supply            | 230 V                                   |
| Finish                  | black powder coating                    |
| Materials               | steel, galvanized steel, tempered glass |
| Application             | for indoor use only                     |

## CONTROL OPTIONS



included



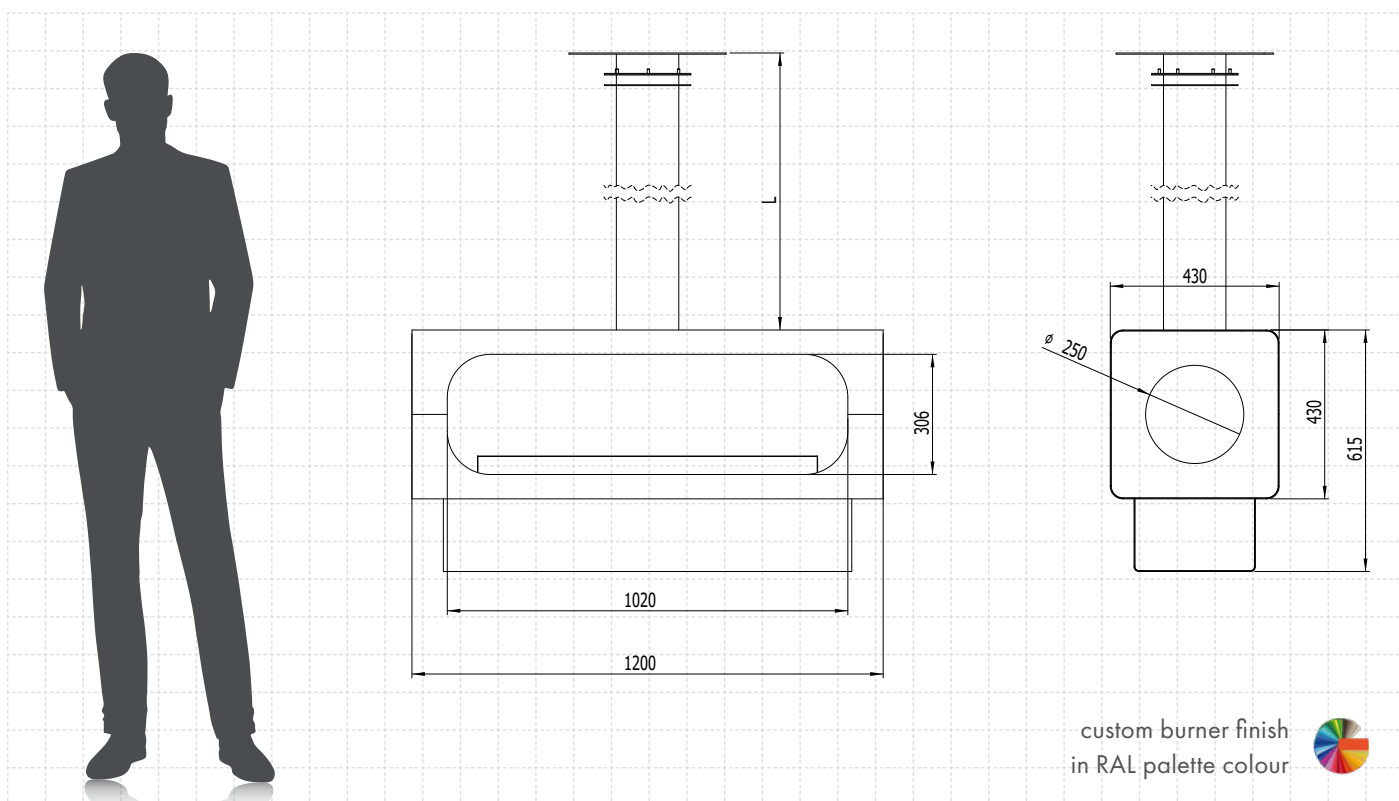
included



optional

## 'PLANIKA BEV' APP

Control the fire with your smartphone!



All product specifications and data are subject to change without notice and are believed to be accurate as of the date hereof. Planika Sp. z o.o., its affiliates, agents, and employees, and all persons acting on its or their behalf (collectively, "Planika Sp. z o.o."), disclaim any and all liability for any errors, inaccuracies or incompleteness contained in any document or in any other disclosure relating to any product. To the maximum extent permitted by applicable law, Planika Sp. z o.o. disclaims any and all liability arising out of the application or use of any product. No license, express or implied, by estoppel or otherwise, to any intellectual property rights is granted by this document or by any conduct of Planika Sp. z o.o.. Customers using or selling Planika Sp. z o.o.'s products not expressly indicated for use in such applications do so entirely at their own risk and agree to fully indemnify Planika Sp. z o.o. for any damages arising or resulting from such use or sale. The provided fuel consumption is based on laboratory testing on the lowest flame level. The actual consumption of individual devices may vary. The images are indicative only.