

CURVE 120

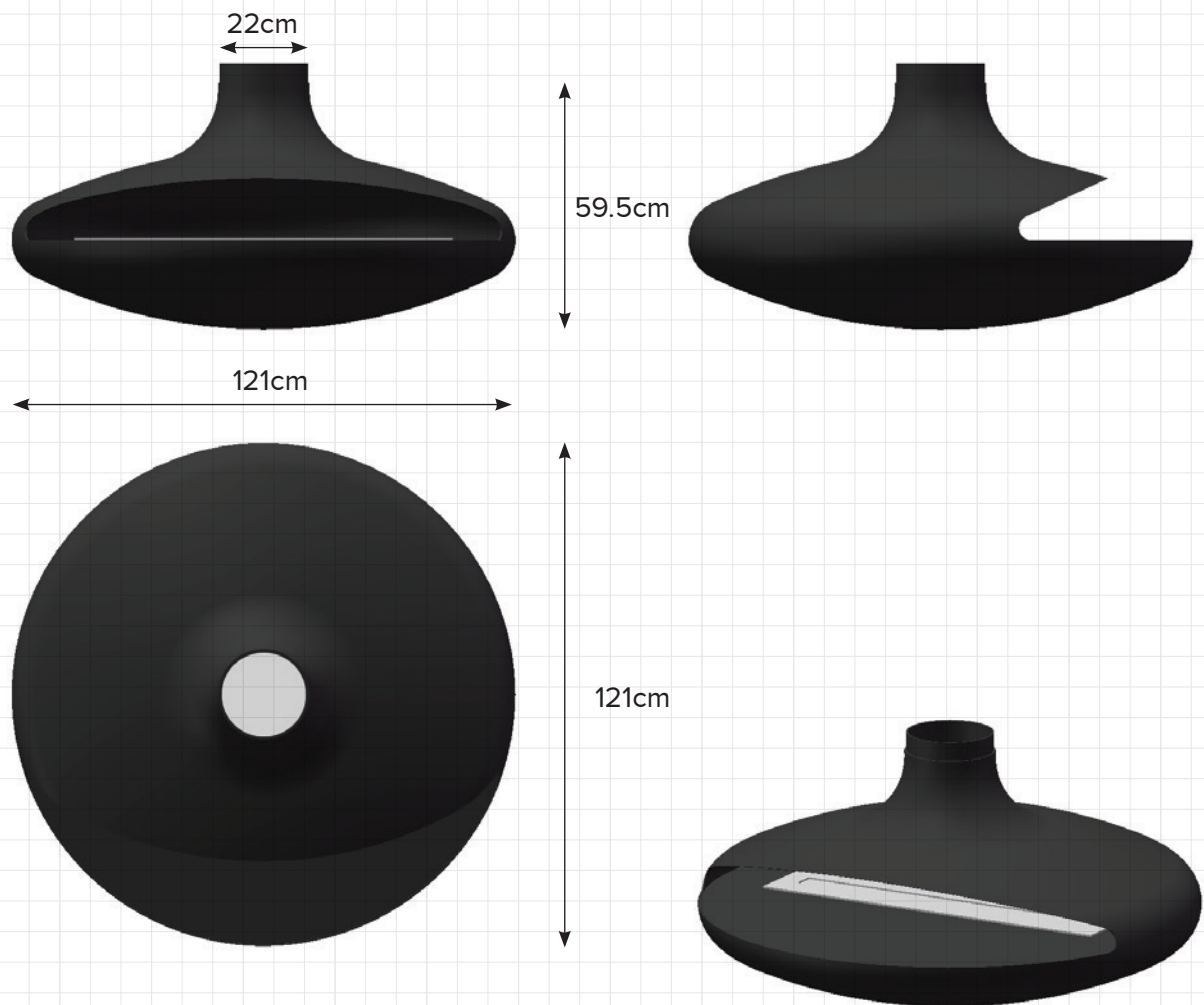
SUSPENDED FIRE



 NAKED FLAME

CURVE 120

Installation manual
available on request.



FIRE INSERT OPTIONS:

- **BIOFUEL** - Eco-friendly, 100% heat-efficient and clean burning, which means no smoke so you don't need a chimney or a consent.
- **GAS** (Natural or LPG) - We offer a gas insert option (through a third party).
- **ELECTRIC** - Just for looks, but what stunningly beautiful looks.
- **WOOD** - Suitable for rural areas, check with your local council for consent requirements.

360 degree rotation system.

Flue can be customised to various lengths and ceiling slope.

MATERIALS

- Material: Cold rolled steel
- Thickness: 4mm
- Colour: Black

GUARANTEE

Full money back 5 year guarantee on any faulty product.

VISIT OUR STORE

18 Barrys Point Road
Takapuana
Auckland

CONTACT US

0800 468 836
sales@nakedflame.nz
nakedflame.nz

NAKED FLAME
DESIGNER BIOFUEL FIREPLACES

Addressing the demand for incorporating stretched flames into custom-designed settings, the linear features of the XL burners perfectly combine their sleek parallel lines with the clean lines of today's contemporary living. An elegant, bright, elongated flame helps 'make' an indoor or outdoor room and creates a distinctive drawcard.

Perfectly and easily integrated into media units, cabinetry, walls, pillars or stone benches, XL burners come in a range of sizes depending on the style you want to achieve. The many, diverse installations around the world are testament to the versatility of these amazing burners.

INDICATIVE MODEL SHOWN BELOW

Included Accessories



Flame Regulation

Purpose-designed baffle inserts allow you to regulate and further stabilise the flame at the same time as increasing fuel efficiency of the burner.

Flip Lid Shut Off System

The series' 'flip lid' shut-off system fits perfectly across the ignition zone to extinguish the flame and, when it is open, denies access to the separated filling point as a deterrent to filling the burner while it is in operation.

A reliable and safe extinguishing system courtesy of a special shut-off mechanism and precision measurements.

Colour

Available in Stainless Steel.

Dedicated Filling Point

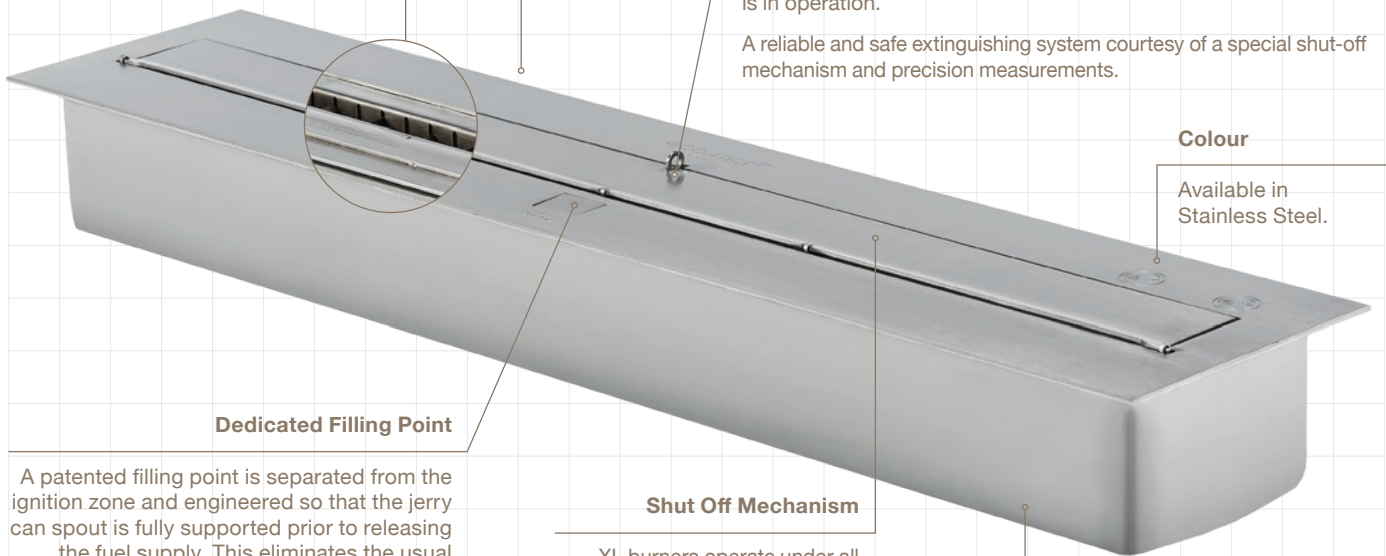
A patented filling point is separated from the ignition zone and engineered so that the jerry can spout is fully supported prior to releasing the fuel supply. This eliminates the usual splash and spills that would otherwise occur when fuel is decanted into the burner while simultaneously reinforcing the maximum fill line within the burner.

Shut Off Mechanism

XL burners operate under all conditions, at all temperatures, every time – reliable, consistent and reassuring.

Deep Drawn Fabrication

A deep-draw fabrication process eliminates the potential for dangerous leaks.



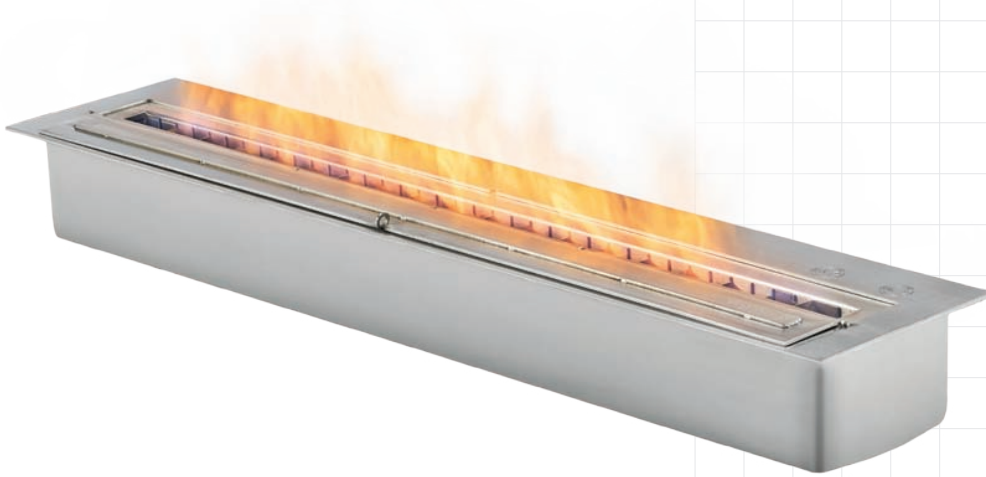
VISIT OUR STORE

18 Barrys Point Road
Takapuana
Auckland

CONTACT US

0800 468 836
sales@nakedflame.nz
nakedflame.nz

XL900



Application	Indoor & Outdoor
Awards	2009 Hearth & Home Vesta Award (USA)
Materials	Grade 304 Stainless Steel
Weight	12.2kg [26.8lbs]
Colour & SKU	 Stainless Steel ESF.2.B.XL9
Fuel Type	e-NRG Bioethanol

BURNER VENTILATION & EFFICIENCY*

Fuel Capacity	9 Litres [2.4 Gallons]
Heats on Average (when used indoors)	Over 60 square metres [645 square feet]
Fuel Consumption	0.8 L/h [0.21 Gal/h]
Thermal Output Net (MAX)	16 MJ/h - 15,000 BTU/h - 4.4 kW
Burn Time	8 - 13 hours (approx)
Minimum Room Size	110 cubic metres [3884 cubic feet] per burner.
Optional Accessories	Top Tray, Twin Feet Fixings, Fire Screens, Decorative Media

Read the manual carefully before operating the burner. Physical model dimensions should be verified against cut out dimensions BEFORE installation begins to confirm tolerances align.

* The efficiency data outlined above is indicative only and may vary depending on the model purchased, weather conditions, installation and bioethanol used.



VISIT OUR STORE

18 Barrys Point Road
Takapuana
Auckland

CONTACT US

0800 468 836
sales@nakedflame.nz
nakedflame.nz

